

# B.B.

Check Valve

## Technical datasheet



## Description

The non-return valve Watts B.B is certified to the NF antipollution norms. This non-return valve is designed for the protection of drinking water network against polluted backflow which has no recognized toxic or microbiological risks to human health.

It is particularly suitable for mounting after watermeter.

- Minimum head losses, silence and robustness
- Does not generate hammering
- Closing system: double axial guiding with return spring
- Excellent sealing at high as well as at low pressure ensured by a specially designed lip ring-seal
- 2 drilled bosses 1/4"



### B.B.

Check valve

DN		PFA in bar	Ref.	Weight Kg
"	mm			
1/2	15	10	<b>2224100</b>	0,13
3/4	20	10	<b>2224101</b>	0,19
1	25	10	<b>2224102</b>	0,29
1 1/4	32	10	<b>2224106</b>	0,57
1 1/2	40	10	<b>2224107</b>	0,74
2	50	10	<b>2224129</b>	1,22

#### Important :

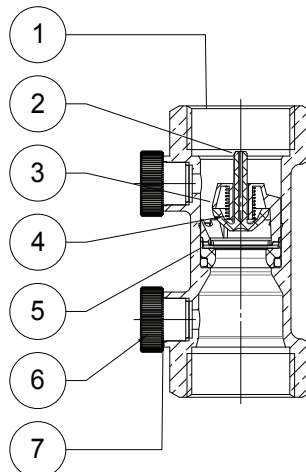
The indicated pressure for the different categories of fluids (L1/L2/G1/G2) is under no condition a guarantee of use. Therefore, it is essential to validate the use of products under given operating conditions. It is therefore essential to validate the use of products according to service conditions with our recommendations department. In addition, operating instructions are available on our website [www.socla.com](http://www.socla.com) or on request from our sales department.

#### Technical features

Operating temperature	-10 °C at 65 °C in continuous - 1h/day at 90 °C
Permissible operating pressure (PFA) in water	See table above
Maximum permissible pressure (PS) other fluids	See table above
Connection	Female/Female, cylindrical gas thread (BSP)
Mediums	Drinking water, other fluids consult us

#### Nomenclature and materials

N°	Description	Materials
1	Body	Brass
2	Closing system	POM (polyacetal)
3	Guide	POM (polyacetal)
4	Spring	Stainless steel
5	Seal	EPDM
6	Plug	POM (polyacetal)
7	Seal	EPDM



## Approvals



### International Construction Standards :

NF Antipollution  
 NF EN 13959  
 ISO 228

## Application

Clear liquids, water, protection of drinking water networks.

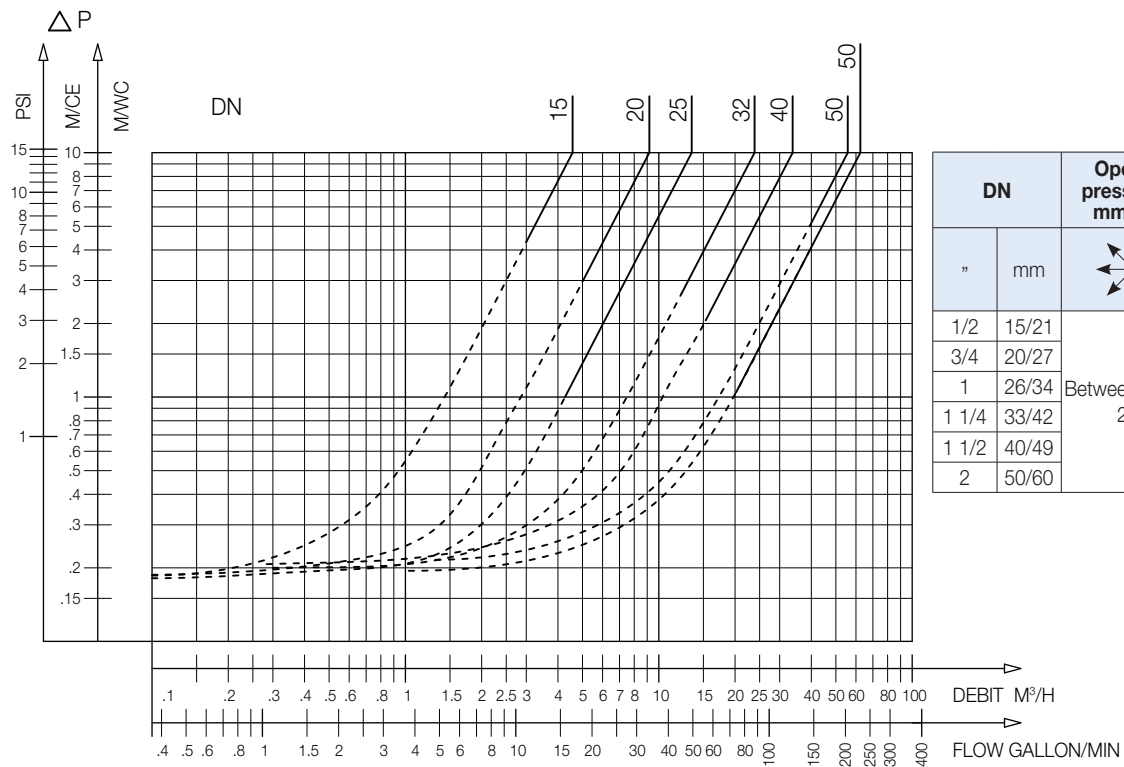
## Installation

The B.B antipollution valve is particularly recommended for installation after the meter. Operates in any position.

## Operation

### Direction for use :

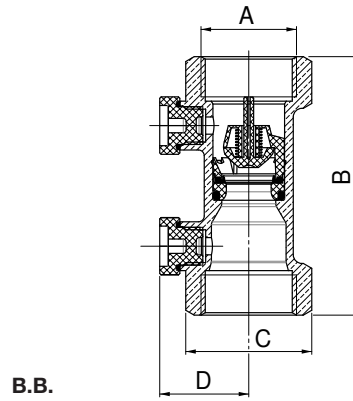
- Solid line: Valve completely open
- Dotted line: Opening stage of valve



B.B. - Headloss chart

## Sizing

Connection A		B	C	D
"	mm	mm	mm	mm
1/2	15/21	65	26	26
3/4	20/27	75	30	28
1	26/34	90	38	31
1 1/4	33/42	110	48	34
1 1/2	40/49	120	55	38
2	50/60	150	68	43



The descriptions and photographs contained in this product specification sheet are supplied by way of information only and are not binding. Watts reserves the right to carry out any technical and design improvements to its products without prior notice. Warranty : All sales and contracts for sale are expressly conditioned on the buyer's assent to Watts terms and conditions found on its website at [www.watts.com](http://www.watts.com). Watts hereby objects to any term, different from or additional to Socla terms, contained in any buyer communication in any form, unless agreed to in a writing signed by an officer of Watts.



**WATTS INDUSTRIES France**

1590 avenue d'Orange • CS 10101 Sorgues 84275 VEDENE CEDEX • France  
Tél. +33 (0)4 90 33 28 28 • Fax +33 (0)4 90 33 28 39  
[contact@wattswater.com](mailto:contact@wattswater.com) • [www.wattswater.fr](http://www.wattswater.fr)